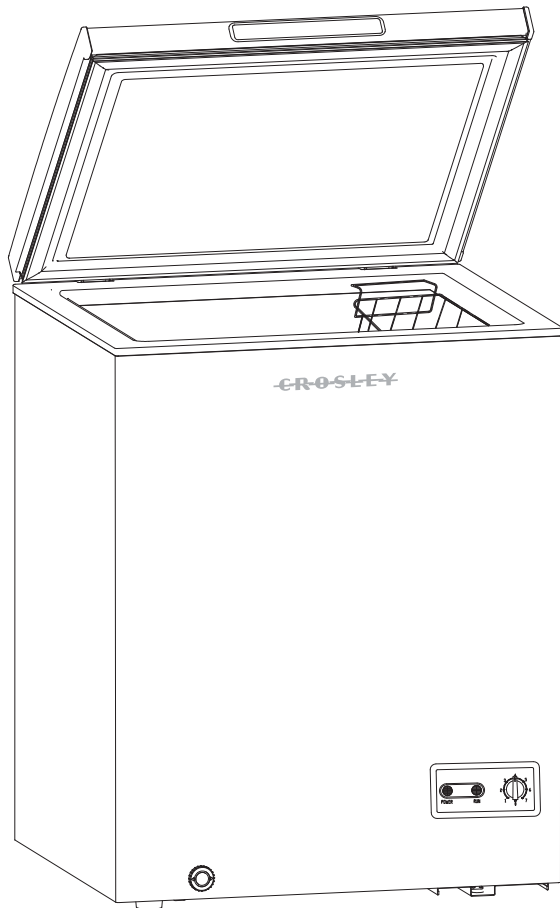


CROSLEY

OWNER'S MANUAL
MANUEL DU PROPRIÉTAIRE
MANUAL DEL PROPIETARIO

The American Tribute Series



GARAGE READY
GARAJE LISTO
PRÊT POUR LE GARAGE

MODEL • MODÈLE • MODELO

AFX07UW

This product has been manufactured and sold under the responsibility of The Crosley Group, Inc.
8002-B Emerald Drive
Emerald Isle, NC 28594

Crosley is a registered trademark of The Crosley Group, Inc.
© 2007-2022 The Crosley Group, Inc. All rights reserved.



Important Safety Information

READ AND FOLLOW ALL SAFETY INSTRUCTIONS

SAFETY REQUIREMENTS

DANGER: Risk of fire or explosion. Flammable refrigerant used. Do not puncture refrigerant tubing.

- Do not use mechanical devices to defrost refrigerator.
- Ensure that servicing is done by factory authorized service personnel, to minimize product damage or safety issues.
- If the power supply cord is damaged, it must be replaced by the manufacturer, its service agent or similar qualified person in order to avoid hazard.
- Consult repair manual or owner's guide before attempting to service this product. All safety precautions must be followed.
- Dispose of properly in accordance with federal or local regulations.
- Follow handling instructions carefully.
- Do not store explosive substances such as aerosol cans with a flammable propellant in this appliance.

WARNING: Keep ventilation openings, in the appliance enclosure or in the built-in structure, clear of obstruction.

WARNING: Do not use mechanical devices or other means to accelerate the defrosting process, other than those recommended by the manufacturer.

WARNING: Do not damage the refrigerant circuit.

WARNING: Do not use electrical appliances inside the food storage compartments of the appliance, unless they are of the type recommended by the manufacturer.

CAUTION: Children should be supervised to ensure that they do not play with the appliance.

DANGER: Risk of child entrapment. Before throwing away an old appliance:

- Remove the door or lid.
- Leave shelves in place so that children may not easily climb inside.

DANGER: Do not add a lock to the door or lid. This can cause child entrapment and harm.

SAFETY REQUIREMENTS

This appliance is not intended for use by persons (including children) whose physical, sensory or mental capabilities may be different or reduced, or who lack experience or knowledge, unless such persons receive supervision or training to operate the appliance by a person responsible for their safety.

This appliance is intended to be used in household and similar applications such as:

- Staff kitchen areas in shops, offices and other working environments;
- Farm houses and by clients in hotels, motels and other residential type environments;
- Bed and breakfast type environments;
- Catering and similar non-retail applications.

GROUNDING INSTRUCTIONS

This appliance must be grounded. Grounding reduces the risk of electrical shock by providing an escape wire for the electrical current.

This appliance has a cord that has a grounding wire with a 3-prong plug. The power cord must be plugged into an outlet that is properly grounded. If the outlet is a 2-prong wall outlet, it must be replaced with a properly grounded 3-prong wall outlet. The serial rating plate indicates the voltage and frequency the appliance is designed for.

WARNING - Improper use of the grounding plug can result in a risk of electric shock. Consult a qualified electrician or service agent if the grounding instructions are not completely understood, or if doubt exists as to whether the appliance is properly grounded.

Do not connect your appliance to extension cords or together with another appliance in the same wall outlet. Do not splice the power cord. Do not under any circumstances cut or remove the third ground prong from the power cord. Do not use extension cords or ungrounded (two prongs) adapters.

SAVE THESE INSTRUCTIONS!

INSTALLATION INSTRUCTIONS

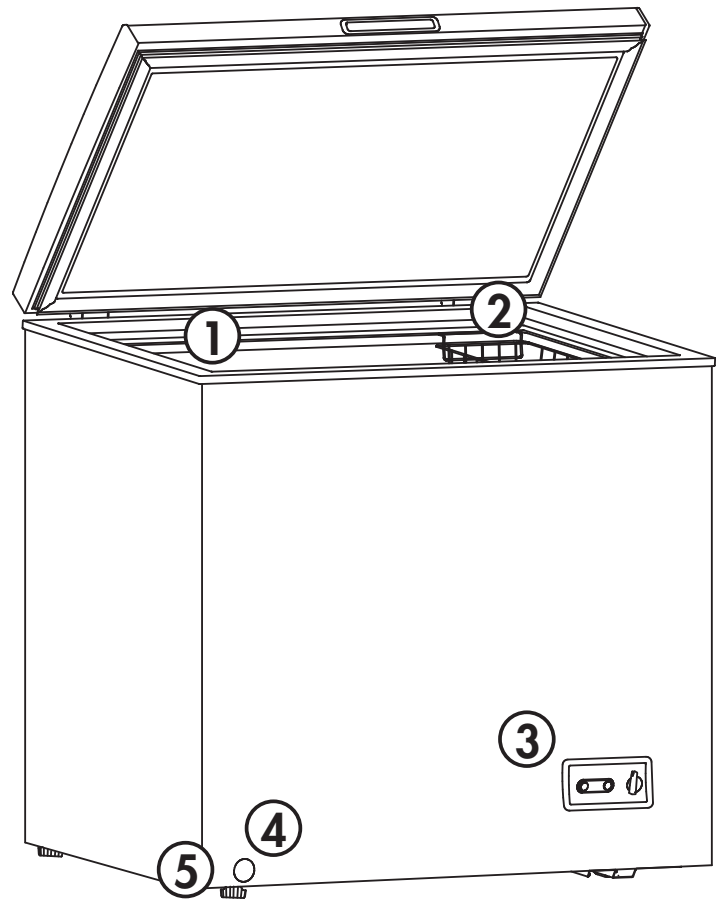
LOCATION

- Two people should be used when moving the appliance.
- Remove interior and exterior packaging prior to installation. Wipe the outside of the appliance with a soft, dry cloth and the inside with a lukewarm wet cloth.
- Place the appliance on a floor that is strong enough to support it when it is fully loaded.
- Do not place the appliance in direct sunlight or near sources of heat, such as a stove or heater, as this can increase electrical consumption. Extreme cold ambient temperatures may also cause the appliance to perform improperly.
- Do not use the appliance near water, for example, in a wet basement or near a sink.
- This appliance is intended for indoor household and garage use only. Freezers are tested to perform in temperatures ranging from 0°F to 110°F (-17°C to 43°C). It is not designed for outside installation, including anywhere that is not temperature controlled such as porches, vehicles, etc.
- Before connecting the appliance to a power source, let it stand upright for approximately 6 hours. This will reduce the possibility of a malfunction in the cooling system from handling during transportation.
- Allow 12.7 cm (5 inches) of space between the back and sides of the appliance and all adjacent walls.
- This appliance is intended for free-standing installation only and is not intended to be built into a cabinet or counter. Building in this appliance can cause it to malfunction.

OPERATING INSTRUCTIONS

FEATURES

1. Rust Resistant Interior
2. Wire Basket
3. Thermostat Dial
4. Defrost Drain
5. Leveling Legs



IMPORTANT NOTE

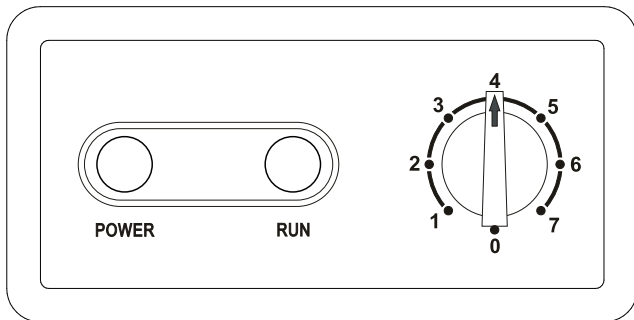
The freezer lid may be difficult to open immediately after closing it. This is normal and is due to the pressure difference between the cold interior of the freezer and the warm air that has just entered the freezer when the lid was opened. The pressure will equalize within a few minutes.

If the lid is especially difficult to open, wait 5 minutes to allow the pressure to equalize and then try again.

OPERATING INSTRUCTIONS

TEMPERATURE CONTROL

1. Power indicator light: Illuminates when the appliance is connected to a working power source.
2. Run indicator light: Illuminates when the compressor is running.



The temperature of the appliance is controlled by setting the thermostat dial on the front of the cabinet.

- The number 1 indicates the warmest setting.
- The number 7 indicates the coldest setting.
- The number 4 setting should be sufficient for regular home use.
- The temperature range of the appliance is approximately $-12 \sim -24^{\circ}\text{C}$ ($10.4 \sim -11.2^{\circ}\text{F}$).
- To stop the cooling function, turn the dial to the "0" position.

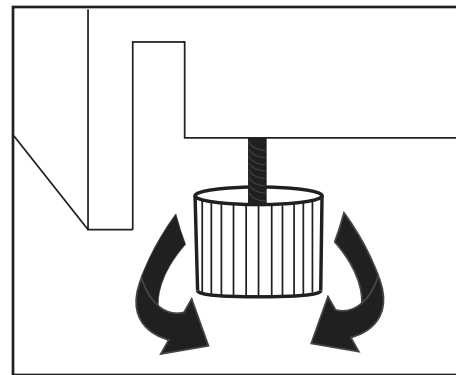
Important:

- The temperature inside the appliance can vary based on ambient room temperature, the frequency that the lid is opened and the amount of fresh food that has recently been added to the appliance.
- Do not overload the appliance as this can affect performance.
- Do not freeze large quantities of fresh food at the same time.

LEVELING INSTRUCTIONS

There are two adjustable legs on the bottom of the appliance that can be turned up or down to ensure that the appliance is level. It is important that the appliance is level to minimize noise and vibration. To level the appliance:

1. Move the appliance to its final location.
2. Turn the leveling leg counter-clockwise as far as it will go, until the top of the foot is touching the bottom of the chassis.
3. Slowly turn the leveling leg clockwise until the appliance is level.



Please do not overload your freezer. A freezer is able to freeze approximately 2 1/2 lbs of thawed food per cubic foot space. A 5 cubic foot freezer, for example, can freeze approximately 12-13 lbs of unfrozen food in any 24 hour period. It is best to pre-freeze food prior to putting it in your freezer. Most butchers or providers of bulk food prior to getting it to you. Overloading the freezer may cause it to fail.

OPERATING INSTRUCTIONS

DEFROSTING

This appliance should be defrosted approximately twice a year or when a 6 mm (1/4 inch) layer of frost has formed.

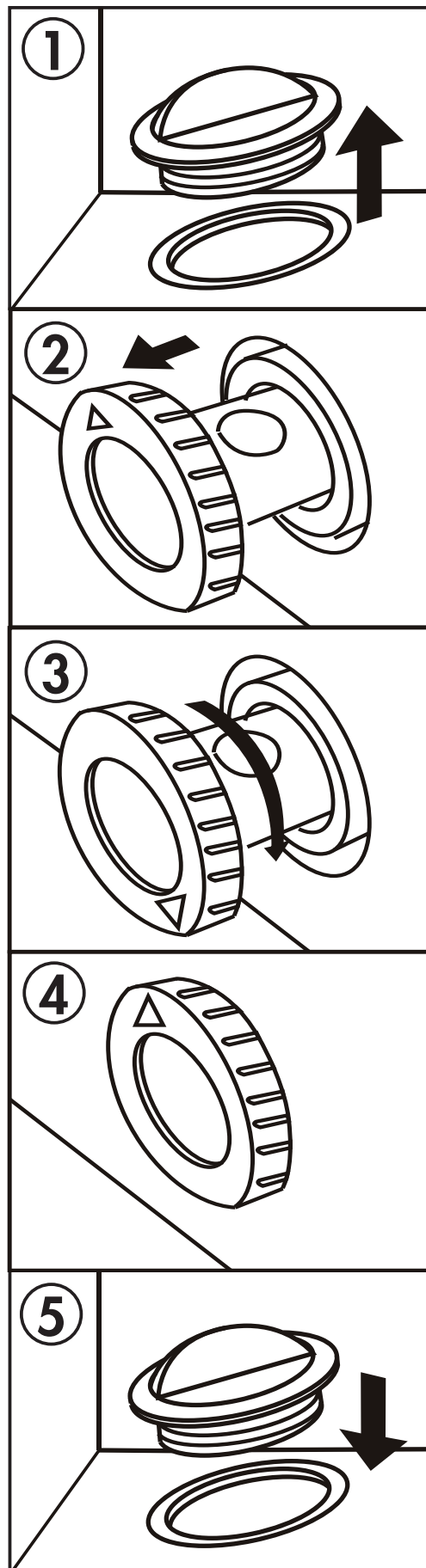
Turn the appliance control knob to the "0" position and unplug the power cord. Remove all contents and leave the lid open. Follow the instructions below:

1. The interior defrost drain is located on the inside floor of the cabinet. Remove the cover from the defrost drain. Defrosted water will flow into the hole and out through the exterior defrost drain cap.
2. The exterior defrost drain cap is located on the front of the cabinet. Turn the cap with a coin or flat-bladed screwdriver and then gently pull out until the water hole is visible.
3. Twist the exterior drain cap so that the arrow points downward. Place a bucket or pan under the drain cap to catch defrosted water. Check the appliance regularly during defrosting to ensure that the water is not overflowing.
4. When all water has been drained, twist the drain cap until the arrow is pointing upwards and then push inward until it is flush with the cabinet.
5. Replace the cover in the interior defrost drain.

After defrosting is complete, set the temperature control to maximum for 2 to 3 hours before returning to the desired temperature setting.

IMPORTANT

Never use electrical appliances during defrosting. Do not use pointed or sharp objects to remove frost as this can damage the refrigerant lines. If these lines are accidentally pierced it will render the freezer inoperable and void the manufacturer's warranty.



CARE & MAINTENANCE

CLEANING

Ensure the appliance is unplugged before cleaning.

- To clean the inside of the appliance, use a soft cloth and a solution of a tablespoon of baking soda to one quart of water or a mild soap solution or some mild detergent.
- Clean the outside with a soft, damp cloth and some mild detergent. **Do not wet the lid graphic.**
- It is important to keep the area where the lid seals against the cabinet clean to ensure a tight seal. Clean this area with a soapy cloth. Rinse with a damp cloth and let dry.

Note: Do not use cleaners containing ammonia or alcohol on the appliance. Ammonia or alcohol can damage the appearance of the appliance. Never use any commercial or abrasive cleaners or sharp objects on any part of the appliance.

POWER FAILURE

Most power failures are corrected within a few hours and should not affect the temperature of your appliance if you minimize the number of times the lid is opened. If the power is going to be off for a longer period of time, take the proper steps to protect your contents.

Note: Wait 3 to 5 minutes before attempting to restart the refrigerator if operation has been interrupted.

ENERGY SAVING TIP

The appliance should be located in the coolest area of the room, away from heat producing appliances, and out of direct sunlight. Do not overload the unit or block any ventilation openings.

VACATION

- **Short vacations:** Leave the appliance operating during vacations of less than three weeks.
- **Long vacations:** If the appliance will not be used for several months, remove all items and turn off the appliance. Defrost, clean and dry the interior thoroughly. To prevent odor and mold growth, leave the lid open slightly, blocking it open if necessary.

MOVING

- Remove all items.
- Tape the lid shut.
- Be sure the appliance stays secure in the upright position during transportation. Also protect the outside of the appliance with a blanket or similar item.
- If the appliance is placed on its back or side during transportation, upon reaching the destination, allow it to remain in its operating position for 6 hours to avoid damage to internal components.

DISPOSAL

This appliance may not be treated as regular household waste, it should be taken to the appropriate waste collection point for recycling of electrical components. For information on local waste collection points, contact your local waste removal agency or government office.

Disposal of this appliance should be in accordance with federal and local regulations.

FREQUENTLY ASKED QUESTIONS

What are the standard wattage and amps used?

This information can be found on the rating plate located on the back of the cabinet.

How much does it cost to run the freezer?

Please refer to the energy guide.

Can I use an extension cord?

No, an extension cord may not be used.

I am having trouble opening the door or lid; why?

The freezer door or lid may be difficult to open immediately after closing it. This is normal and is due to the pressure difference between the cold interior of the freezer and the warm air that has just entered the freezer when it was opened. The pressure will equalize within a few minutes.

TROUBLESHOOTING

No power

- A fuse may be blown or the circuit breaker tripped
- Plug not fully inserted into the wall outlet

Internal temperature not cold enough

- Temperature setting is too warm
- The door or lid is not shut properly or opened excessively
- Recently added a large quantity of warm food to the cabinet
- Close proximity to heat source or direct sunlight
- Ambient temperature or humidity is very high

Freezer runs continuously

- Temperature setting is too cold
- The door or lid is not shut properly or opened excessively
- Recently added a large quantity of warm food to the cabinet
- Close proximity to heat source or direct sunlight
- Ambient temperature or humidity is very high

Freezer makes a gurgling noise when operating

- This noise is completely normal. The refrigerant inside the appliance will make a gurgling noise as it changes from a liquid to a gas and back again.

WARRANTY

FREEZER WARRANTY

Your freezer is protected by this warranty

	WARRANTY PERIOD	THROUGH OUR AUTHORIZED SERVICERS, WE WILL:	THE CONSUMER WILL BE RESPONSIBLE FOR:
FULL ONE-YEAR WARRANTY	One year from original purchase date	Pay all costs for repairing or replacing any parts of this appliance which prove to be defective in materials or workmanship. Excludes original and replacement Ice & Water filter cartridges (if equipped). Original and replacement cartridges are warranted for 30 days (parts only).	Costs of service calls that are listed under NORMAL RESPONSIBILITIES OF THE CONSUMER. *



In the U.S.A., your appliance is warranted by The Crosley Group, Inc. We authorize no person to change or add to any of our obligations under this warranty. Our obligations for service and parts under this warranty must be performed by an authorized Crosley Corporation servicer.

***NORMAL RESPONSIBILITIES OF THE CONSUMER**

This warranty applies only to products in ordinary household use, and the consumer is responsible for the items listed below:

- 1 Proper use of the appliance in accordance with instructions provided with the product.
- 2 Proper installation by an authorized servicer in accordance with instructions provided with the appliance and in accordance with all local plumbing, electrical and/or gas codes.
- 3 Proper connection to a grounded power supply of sufficient voltage, replacement of blown fuses, repair of loose connections or defects in house wiring.
- 4 Expenses for making the appliance accessible for servicing, such as removal of trim, cupboards, shelves, etc., which are not part of the appliance when it was shipped from the factory.
- 5 Damages to finish after installation.
- 6 Replacement of light bulbs and/or fluorescent tubes (on models with these features).

EXCLUSIONS

This warranty does not cover the following:

- 1 CONSEQUENTIAL OR INCIDENTAL DAMAGES SUCH AS PROPERTY DAMAGE AND INCIDENTAL EXPENSES RESULTING FROM ANY BREACH OF THIS WRITTEN OR ANY IMPLIED WARRANTY.

NOTE: Some states do not allow the exclusion or limitation of incidental or consequential damages, so this limitation or exclusion may not apply to you.
- 2 Service calls which do not involve malfunction or defects in workmanship or material, or for appliances not in ordinary household use. The consumer shall pay for such service calls.

Damages caused by services performed by servicers other than Crosley Corporation, Crosley Canada Corp. or its authorized servicers; use
- 3 of parts other than genuine Crosley Corporation parts, obtained from persons other than such servicers; or external; causes such as abuse, misuse, inadequate power supply or acts of God.
- 4 Products with original serial numbers that have been removed or altered and cannot be readily determined.

IF YOU NEED SERVICE

Keep your bill of sale, delivery slip, or some other appropriate payment record. The date on the bill establishes the warranty period should service be required. If service is performed, it is in your best interest to obtain and keep all receipts. This written warranty gives you specific legal rights. You may also have other rights that vary from state to state. Service under this warranty must be obtained by contacting Crosley Corporation or Crosley Canada Corp.

This warranty only applies in the 50 States of the U.S.A., in Puerto Rico, and in Canada. Product features or specifications as described or illustrated are subject to change without notice. All warranties are made by The Crosley Group, Inc.

FOR SERVICE/WARRANTY INFORMATION CONTACT:
844-CROSLEY (844-276-7539)

CrosleyCare Service
3 Sperry Rd.
Fairfield, NJ 07004

www.crosley.com

FOR PRODUCT INFORMATION or QUESTIONS ON THE EXTENDED WARRANTY; CONTACT:
800-356-5268

Crosley Extended Warranty
11430 Gravois Road, Ste 310
St. Louis, MO 63136

Disclaimer: The design and specifications are subject to change without prior notice for product improvement.



Consignes de sécurité importantes

LIRE ET SUIVRE TOUTES LES INSTRUCTIONS DE SÉCURITÉ

EXIGENCES DE SÉCURITÉ

DANGER : Risque d'incendie ou d'explosion.
Liquide frigorigène inflammable utilisé. Ne pas percer les tubes de réfrigérant.

- N'utilisez pas de dispositifs mécaniques pour dégivrer le réfrigérateur.
- Assurez-vous que l'entretien est effectué par le personnel de service autorisé en usine, afin de minimiser les dommages sur les produits ou les questions de sécurité.
- Consultez le manuel de réparation ou le guide du propriétaire avant d'essayer de réparer ce produit. Toutes les précautions de sécurité doivent être respectées.
- Éliminer conformément aux règlements fédéraux ou locaux.
- Suivez attentivement les instructions de manutention.
- Ne pas stocker des substances explosives comme les bombes aérosol avec un propulseur inflammable dans cet appareil.

AVERTISSEMENT : Garder les ouvertures de ventilation, dans l'enceinte de l'appareil ou dans la structure intégrée, sans obstruction.

AVERTISSEMENT : N'utilisez pas de dispositifs mécaniques ou d'autres moyens pour accélérer le processus de dégivrage, autres que ceux recommandés par le fabricant.

AVERTISSEMENT : Ne pas endommager le circuit de réfrigérant.

AVERTISSEMENT : N'utilisez pas d'appareils électriques à l'intérieur des compartiments de stockage d'aliments de l'appareil, à moins qu'ils ne soient du type recommandé par le fabricant.

ATTENTION : Les enfants devraient être surveillés pour s'assurer qu'ils ne jouent pas avec l'appareil.

DANGER : Risque de piégeage des enfants. Avant de jeter un ancien appareil :

- Retirez la porte ou le couvercle.
- Laissez les étagères en place afin que les enfants ne puissent pas facilement monter à l'intérieur.

DANGER : N'ajoutez pas de verrou à la porte ou au couvercle. Cela peut entraîner le piégeage et le préjudice des enfants.

EXIGENCES DE SÉCURITÉ

Cet appareil n'est pas destiné à être utilisé par des personnes (y compris des enfants) dont les capacités physiques, sensorielles ou mentales peuvent être différentes ou réduites, ou qui n'ont pas d'expérience ou de connaissances, à moins que ces personnes ne reçoivent de supervision ou de formation pour faire fonctionner l'appareil par une personne responsable de leur sécurité.

Cet appareil est destiné à être utilisé dans des applications domestiques et similaires telles que:

- Cuisines du personnel dans les magasins, les bureaux et autres environnements de travail;
- Les maisons de ferme et par les clients dans les hôtels, motels et autres environnements de type résidentiel;
- Chambres d'hôtes;
- Restauration et applications similaires non commerciales.

INSTRUCTIONS DE MISE À LA TERRE

Cet appareil doit être mis à la terre. La mise à la terre réduit le risque de choc électrique en fournissant un fil d'échappement pour le courant électrique.

Cet appareil possède un cordon doté d'un fil de mise à la terre avec une fiche à 3 broches. Le cordon d'alimentation doit être branché sur une prise correctement mise à la terre. Si la sortie est une prise murale à 2 broches, elle doit être remplacée par une prise murale à 3 broches correctement mise à la terre. La plaque signalétique en série indique la tension et la fréquence auxquelles l'appareil est conçu.

AVERTISSEMENT - Une utilisation incorrecte de la fiche de mise à la terre peut entraîner un risque d'électrocution. Consultez un électricien qualifié ou un agent de service si les instructions de mise à la terre ne sont pas complètement comprises ou s'il existe un doute quant à savoir si l'appareil est correctement mis à la terre.

Ne branchez pas votre appareil à des rallonges ou avec un autre appareil dans la même prise murale. Ne pas épisser le cordon d'alimentation. Ne coupez ou retirez en aucun cas la troisième broche du cordon d'alimentation. N'utilisez pas de cordons de prolongement ou d'adaptateurs sans mise à la terre (deux broches).

Si le cordon d'alimentation est endommagé, il doit être remplacé par le fabricant, son agent de service ou une personne qualifiée similaire afin d'éviter tout risque.

GARDEZ CES INSTRUCTIONS!

INSTRUCTIONS D'INSTALLATION

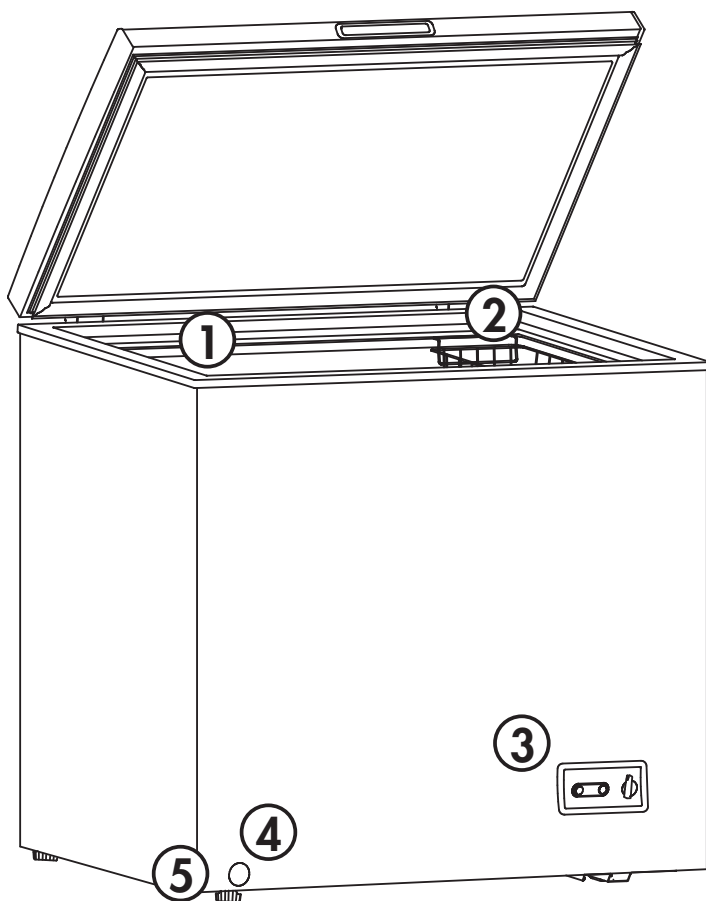
EMPLACEMENT

- Deux personnes doivent être utilisées pour déplacer l'appareil.
- Retirer l'emballage intérieur et extérieur avant l'installation. Essuyez l'extérieur de l'appareil avec un chiffon doux et sec et à l'intérieur avec un chiffon humide tiède.
- Placez votre appareil sur un plancher qui est assez fort pour le soutenir quand il est complètement chargé.
- Ne placez pas l'appareil directement dans la lumière du soleil ou à proximité de sources de chaleur, comme un poêle ou un réchauffeur, car cela peut augmenter la consommation électrique. Des températures ambiantes extrêmes et froides peuvent également provoquer un dysfonctionnement de l'appareil.
- Ne pas utiliser ce produit près de l'eau, par exemple, dans un sous-sol humide ou près d'un évier.
- Cet appareil est destiné à un usage domestique et garage uniquement. Les congélateurs sont testés pour fonctionner à des températures allant de 0°F à 110°F (-17°C à 43°C). Il n'est pas conçu pour une installation à l'extérieur, y compris partout où la température n'est pas contrôlée comme les porches, les véhicules, etc.
- Avant de brancher l'appareil à une source d'alimentation, laissez-le debout pendant environ 6 heures; Ceci réduira la possibilité d'un dysfonctionnement dans le système de refroidissement de la manipulation pendant le transport.
- Laisser 12,7 cm (5 pouces) d'espace entre le dos et les côtés de l'appareil et tous les murs adjacents.
- Cet appareil est conçu pour une installation autonome uniquement et n'est pas destiné à être encastré dans une armoire ou un comptoir. L'encastrement de cet appareil peut provoquer son dysfonctionnement.

CONSIGNES D'UTILISATION

CARACTÉRISTIQUES

1. Intérieur résistant à la rouille
2. Panier métallique
3. Cadran du thermostat
4. Drain de dégivrage
5. Pieds de nivellement



REMARQUE IMPORTANTE

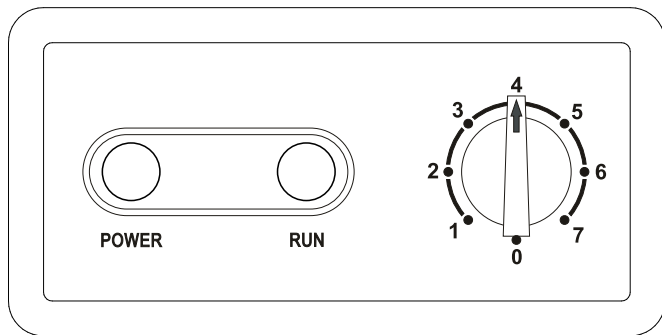
Le couvercle du congélateur peut être difficile à ouvrir immédiatement après la fermeture. Ceci est normal et est dû à la différence de pression entre l'intérieur froid du congélateur et l'air chaud qui vient d'entrer dans le congélateur lorsque le couvercle a été ouvert. La pression sera équilibrée en quelques minutes.

Si le couvercle est particulièrement difficile à ouvrir, attendez 5 minutes pour permettre à la pression d'égaliser puis réessayez.

CONSIGNES D'UTILISATION

CONTRÔLE DE LA TEMPÉRATURE

1. Voyant d'alimentation: s'allume lorsque l'appareil est connecté à une source d'alimentation en état de marche.
2. Témoin lumineux de marche: s'allume lorsque le compresseur fonctionne.



La température de l'appareil est contrôlée en réglant le cadran du thermostat à l'avant de l'armoire.

- Le numéro 1 indique le réglage le plus chaud.
- Le numéro 7 indique le réglage le plus froid.
- Le numéro 4 devrait être suffisant pour un usage domestique régulier.
- La plage de température de l'appareil est d'environ $-12 \sim -24^{\circ}\text{C}$ ($10,4 \sim -11,2^{\circ}\text{F}$).
- Pour arrêter la fonction de refroidissement, tournez la molette sur la position «0».

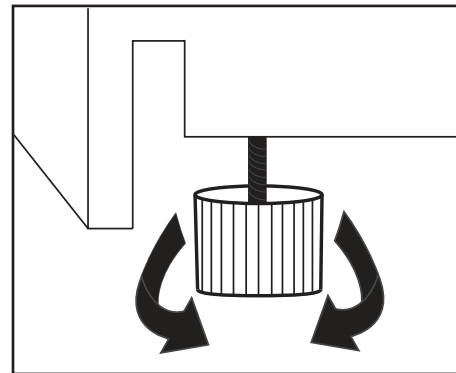
Important:

- La température à l'intérieur de l'appareil peut varier en fonction de la température ambiante de la pièce, de la fréquence d'ouverture du couvercle et de la quantité d'aliments frais récemment ajoutés à l'appareil.
- Ne surchargez pas l'appareil car cela peut affecter les performances.
- Ne congelez pas de grandes quantités d'aliments frais en même temps.

INSTRUCTIONS DE NIVEAU

Il y a deux pattes réglables sur le bas de l'appareil qui peuvent être montées ou bas pour s'assurer que l'appareil est au niveau. Il est important que l'appareil soit à niveau pour minimiser les bruits et les vibrations. Pour niveler l'appareil:

1. Déplacez l'appareil à son emplacement final.
2. Tournez la jambe de nivellement dans le sens inverse des aiguilles d'une montre aussi loin que possible, jusqu'à ce que le haut du pied touche le bas du châssis.
3. Tournez lentement la jambe de nivellement dans le sens des aiguilles d'une montre jusqu'à ce que l'appareil soit à niveau.



Veillez ne pas surcharger votre congélateur. Un congélateur est capable de congeler environ 2 1/2 livres d'aliments décongelés par pied cube d'espace. Un congélateur de 5 pieds cubes, pour exemple, peut congeler environ 12 à 13 livres de aliments non congelés sur une période de 24 heures. Il est préférable de pré-congelez les aliments avant de les mettre dans votre congélateur. Plus bouchers ou fournisseurs d'aliments en vrac avant de les acheminer versvous.. Surcharger le congélateur peut le faire tomber en panne.

CONSIGNES D'UTILISATION

DÉGIVRAGE

Cet appareil doit être dégivré environ deux fois par an ou lorsqu'une couche de givre de 6 mm (1/4 de pouce) est formé.

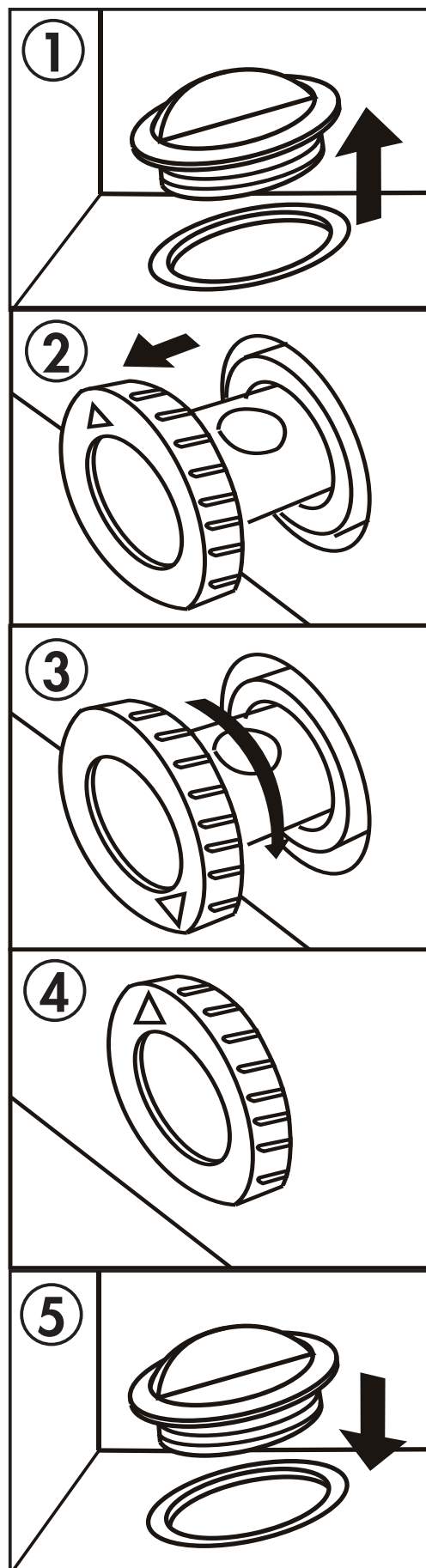
Tournez le bouton de commande de l'appareil sur la position "0" et débranchez le cordon d'alimentation. Retirez tous les contenus et laissez le couvercle ouvert. Suivez les instructions ci-dessous:

1. Le drain de dégivrage intérieur est situé sur le plancher intérieur de l'armoire. Retirez le couvercle du drain de dégivrage. L'eau dégivrée s'écoulera dans le trou et sortira par le bouchon de vidange de dégivrage extérieur.
2. Le bouchon de vidange de dégivrage extérieur est situé à l'avant de l'armoire. Tournez le capuchon avec une pièce de monnaie ou un tournevis à lame plate, puis tirez doucement jusqu'à ce que le trou d'eau soit visible.
3. Tournez le bouchon de vidange extérieur de sorte que la flèche pointe vers le bas. Placez un seau ou une casserole sous le bouchon de vidange pour récupérer l'eau décongelée. Contrôlez régulièrement l'appareil pendant le dégivrage pour vous assurer que l'eau ne déborde pas.
4. Lorsque toute l'eau a été vidangée, tournez le bouchon de vidange jusqu'à ce que la flèche pointe vers le haut, puis poussez vers l'intérieur jusqu'à ce qu'il affleure le boîtier.
5. Remplacez le couvercle dans le drain de dégivrage intérieur.

Une fois le dégivrage terminé, réglez le contrôle de la température au maximum pendant 2 à 3 heures avant de revenir au réglage de température désiré.

IMPORTANT

Ne jamais utiliser d'appareils électriques pendant le dégivrage. Ne pas utiliser d'objets pointus ou tranchants pour enlever le givre car cela peut endommager les conduites de fluide frigorigène. Si ces lignes sont accidentellement percées, cela rend le congélateur inopérant et annulera la garantie du fabricant.



SOINS ET ENTRETIEN

NETTOYAGE

Assurez-vous que l'appareil est débranché avant de nettoyer une partie de l'appareil.

- Pour nettoyer l'intérieur de l'appareil, utilisez un chiffon doux et une solution d'une cuillère à soupe de bicarbonate de soude à un quart d'eau ou une solution de savon doux ou un détergent doux.
- Nettoyez l'extérieur avec un chiffon doux et humide et un peu de détergent doux.
- Il est important de garder la région de scellement de la couvercle sur l'armoire propre. Nettoyez avec un tissu savonneux, rincez le région et puis séchez.

Remarque: N'utilisez pas de produits nettoyants comprenant de l'ammoniaque ou de l'alcool sur l'appareil. L'ammoniaque ou l'alcool peuvent altérer le fini de l'appareil. N'utilisez jamais de nettoyant industriels sur aucune partie de votre appareil.

PANNE DE COURANT

La plupart des pannes de courant ne durent que quelques heures et ne devraient pas modifier la température de votre l'appareil si vous réduisez au maximum le nombre de fois où la couvercle est ouverte. Si le courant reste coupé pendant une longue période, il faut prendre des mesures de protection du contenu de l'appareil.

Remarque: Attendez 3 à 5 minutes avant d'essayer de redémarrer le réfrigérateur si l'opération a été interrompue.

CONSEIL RELATIF AUX ÉCONOMIES D'ÉNERGIE

L'appareil doit être situé dans la zone la plus fraîche de la pièce, loin des appareils de production de chaleur et hors de la lumière directe du soleil. Ne pas surcharger l'appareil ou bloquer les ouvertures de ventilation.

VACANCES

- **Courtes vacances:** Laissez l'appareil fonctionner pendant les vacances durant moins de trois semaines.
- **Longues vacances:** Si l'appareil ne doit pas être utilisé pendant plusieurs mois, retirez tout ce qu'il contient et mettez-le hors tension. Nettoyez et asséchez à fond l'intérieur. Pour éviter les odeurs et le développement de moisissures, laissez la couvercle entrouverte, la coincer au besoin.

DÉMÉNAGER

- Retirer tous les éléments.
- Fermez la couvercle.
- Assurez-vous que l'appareil reste en position verticale pendant le transport. Protégez également l'extérieur de l'appareil avec une couverture ou un objet similaire.
- Si l'appareil est placé sur le dos ou le côté pendant le transport, en arrivant à la destination, lui permettre de rester en position de travail pendant 6 heures pour éviter d'endommager les composants internes.

ÉLIMINATION DES DÉCHETS

Ce produit ne doit pas être traité comme un déchet domestique ordinaire, il doit être transporté au point de collecte approprié pour le recyclage des composants électriques. Pour obtenir des renseignements sur les points de collecte des déchets locaux, communiquez avec votre agence locale de traitement des déchets ou avec le bureau du gouvernement.

L'élimination de cet appareil devrait être conforme aux règlements fédéraux et locaux.

QUESTIONS FRÉQUEMMENT POSÉES

Quels sont la puissance et les ampères standard utilisés?

Ces informations se trouvent sur la plaque signalétique située à l'arrière de l'armoire.

Combien cela coûte-t-il de faire fonctionner le congélateur?

Veillez vous référer au guide énergétique.

Puis-je utiliser une rallonge?

Non, une rallonge ne peut pas être utilisée.

J'ai du mal à ouvrir la porte ou le couvercle; Pourquoi?

La porte ou le couvercle du congélateur peut être difficile à ouvrir immédiatement après sa fermeture. Ceci est normal et est dû à la différence de pression entre l'intérieur froid du congélateur et l'air chaud qui vient d'entrer dans le congélateur lors de son ouverture. La pression s'égalisera en quelques minutes.

DÉPANNAGE

Aucune puissance

- Un fusible est peut-être grillé ou le disjoncteur s'est déclenché
- La fiche n'est pas complètement insérée dans la prise murale

Température interne pas assez froide

- Le réglage de la température est trop chaud
- La porte ou le couvercle n'est pas correctement fermé ou trop ouvert
- Récemment ajouté une grande quantité d'aliments chauds dans l'armoire
- Proche d'une source de chaleur ou de la lumière directe du soleil
- La température ambiante ou l'humidité est très élevée

Le congélateur fonctionne en continu

- Le réglage de la température est trop froid
- La porte ou le couvercle n'est pas correctement fermé ou trop ouvert
- Récemment ajouté une grande quantité d'aliments chauds dans l'armoire
- Proche d'une source de chaleur ou de la lumière directe du soleil
- La température ambiante ou l'humidité est très élevée

Le congélateur fait un gargouillis lors de son fonctionnement

- Ce bruit est tout à fait normal. Le réfrigérant à l'intérieur de l'appareil émettra un gargouillis lorsqu'il passe d'un liquide à un gaz et vice-versa.

GARANTIE

GARANTIE DU CONGELATEUR

Votre réfrigérateur est protégé par cette garantie.

	PÉRIODE DE GARANTIE	NOS TECHNICIENS AUTORISÉS, NOS RESPONSABILITÉS :	LES RESPONSABILITÉS DU CONSOMMATEUR :
UN AN DE GARANTIE	Un an à partir de la date d'achat originale	Nous payerons tous les coûts de réparation ou remplacement de pièces de l'appareil si le problème se révèle être un défaut des matériaux d'origine ou de main-d'œuvre ou de fabrication. Le remplacement de cartouches de filtre de glace et d'eau d'origine et de rechange (si équipé) n'est pas inclus. Les cartouches d'origine et de rechange sont garanties pendant 30 jours (uniquement les pièces).	Coûts des appels de service listés sous LES RESPONSABILITÉS NORMALES DU CONSOMMATEUR.*

□ Aux États-Unis, votre appareil est garanti par Crosley. Nous n'autorisons personne à ajouter ou modifier le contenu de la garantie. Nos obligations sur les services et les pièces en vertu de cette garantie doit être effectuées par un agent de service agréé de Crosley Corporation.

*LES RESPONSABILITÉS NORMALES DU CONSOMMATEUR

Cette garantie s'applique uniquement aux produits pour usage ménager habituel. Le consommateur est responsable des suivants :

- 1 Utilisation appropriée de l'appareil en conformité avec les instructions fournies avec le produit
- 2 Installation appropriée par un service agréé en conformité avec les instructions fournies avec le produit et les codes de plomberie, électrique, et/ou de gaz locaux
- 3 Connexion à une installation électrique appropriée avec une tension suffisante et correctement mise à la terre, remplacement des fusibles grillés, réparation des mauvaises connexions ou des défaillances du câblage domestique à la maison
- 4 Dépenses liées à la réalisation des services pour l'appareil, comme remplacement de garniture, placards, étagères, etc., pièces qui ne font pas partie de l'appareil à la sortie d'usine
- 5 Dommages apparus après installation
- 6 Remplacement des ampoules et/ou des tubes fluorescents (pour les modèles ayant ces caractéristiques)

EXCLUSIONS

Cette garantie ne couvre pas les suivants:

- 1 **DOMMAGES CONSÉCUTIFS OU ACCIDENTELS TELS QUE DOMMAGES MATÉRIELS ET DÉPENSES IMPRÉVUES RÉSULTANT DE LA VIOLATION DE LA GARANTIE ÉCRITE OU AUTRES GARANTIES IMPLICITES**
NOTE: Certains États n'autorisent pas l'exclusion ni la restriction des dommages consécutifs ou accidentels, par conséquent, les restrictions ou exclusions précédentes peuvent ne pas s'appliquer à vous.
- 2 Les appels n'impliquant pas la défaillance ou les défauts de matériaux ou de main-d'œuvre, or pour les électroménagers non-déstinés à l'usage ménager. Le consommateur doit payer les appels liés à tels services.
- 3 Les dommages causés par des opérations effectuées par des serviceurs autres que Crosley Corporation, ou les agents de service agréés; les dommages causés par l'utilisation de pièces autre que des pièces d'origine de Crosley et obtenues des personnes autres que les serviceurs agréés; les dommages externes; les dommages dû à mauvais traitement, une mauvaise utilisation, une alimentation électrique inappropriée ou une force majeure.
- 4 Les produits avec étiquette de numéro de série arraché ou modifié et ne pouvant pas être aisément déterminé u lu. Gardez votre facture, bon de livraison, ou autres preuves de paiement applicables.

SI VOUS AVEZ BESOIN D'UN SERVICE

En cas de besoin de service, la date de facture détermine la période de garantie. Si un service est fourni, il est dans votre intérêt d'obtenir et de garder tous les reçus ou justificatifs. Cette garantie écrite vous accorde des droits juridiques spécifiques et vous pouvez aussi avoir d'autres droits qui peuvent varier d'une juridiction à l'autre. Pour les services liés à cette garantie, vous devez contacter Crosley.

Cette garantie s'applique uniquement dans les 50 États des États-Unis, au Porto Rico, et au Canada. Les caractéristiques ou spécifications du produit décrites ou illustrées dans le manuel peuvent être modifiées sans préavis. Toutes les garanties sont faites par Crosley Corporation. Au Canada, votre appareil est garanti par Crosley Canada Corp.

Rev. 01/2013

INFORMATION SUR LA GARANTIE

CONTACT :

844-CROSLEY (844-276-7539)

CrosleyCare Service

3 Sperry Rd.

Fairfield, NJ 07004

INFORMATION SUR LE PRODUIT

CONTACT :

800-356-5268

Crosley Extended Warranty

11430 Gravois Road, Ste 310

St. Louis, MO 63136

www.crosley.com

Clause de non-responsabilité: Le design et les spécifications peuvent être modifiés sans préavis sur l'amélioration du produit.



Importantes Instrucciones de Seguridad

LEA Y SIGA TODAS LAS INSTRUCCIONES DE SEGURIDAD

REQUERIMIENTOS DE SEGURIDAD

PELIGRO: Riesgo de incendio o explosión. Refrigerante inflamable usado. No perforar la tubería del refrigerante.

- No utilice dispositivos mecánicos para descongelar el refrigerador.
- Asegúrese de que el personal de mantenimiento autorizado por la fábrica haga el mantenimiento para minimizar los daños o problemas de seguridad del producto.
- Consulte el manual de reparación o la guía del propietario antes de intentar reparar este producto. Todas las precauciones de seguridad deben ser seguidas.
- Deseche adecuadamente de acuerdo con las regulaciones federales o locales.
- Siga cuidadosamente las instrucciones de manipulación.
- No almacene sustancias explosivas como aerosoles con propelente inflamable en este electrodoméstico.

ADVERTENCIA: Mantenga las aberturas de ventilación, en la caja del aparato o en la estructura incorporada, sin obstrucción.

ADVERTENCIA: No utilice dispositivos mecánicos u otros medios para acelerar el proceso de descongelación, distintos de los recomendados por el fabricante.

ADVERTENCIA: No dañar el circuito refrigerante.

ADVERTENCIA: No utilice electrodomésticos dentro de los compartimentos de almacenamiento de alimentos del aparato, a menos que sean del tipo recomendado por el fabricante.

PRECAUCIÓN: Los niños deben ser supervisados para asegurarse de que no juegan con el aparato.

PELIGRO: Riesgo de atrapamiento de niños. Antes de tirar un electrodoméstico viejo:

- Retire la puerta o la tapa.
- Deje los estantes en su lugar para que los niños no puedan subir fácilmente dentro.

PELIGRO: No agregue un candado a la puerta o tapa. Esto puede causar atrapamiento y daño al niño.

REQUERIMIENTOS DE SEGURIDAD

Este aparato no está diseñado para ser usado por personas (incluyendo niños) cuyas capacidades físicas, sensoriales o mentales pueden ser diferentes o reducir, o que carecen de experiencia o conocimiento, a menos que dichas personas reciban supervisión o entrenamiento para operar el aparato por una persona responsable de su la seguridad.

Este dispositivo está destinado a ser utilizado en aplicaciones domésticas y similares, tales como:

- Cocinas de personal en tiendas, oficinas y otros entornos de trabajo;
- Casas rurales y clientes en hoteles, moteles y otros entornos de tipo residencial;
- Cama y desayuno;
- Catering y aplicaciones similares no minoristas.

INSTRUCCIONES DE CONEXION A TIERRA

Este aparato debe estar conectado a tierra. La puesta a tierra reduce el riesgo de descarga eléctrica proporcionando un cable de escape para la corriente eléctrica.

Este aparato tiene un cable que tiene un cable de conexión a tierra con un enchufe de 3 clavijas. El cable de alimentación debe estar enchufado en un tomacorriente que esté debidamente conectado a tierra. Si el tomacorriente es un enchufe de pared de 2 terminales, debe ser reemplazado por un tomacorriente de pared de 3 clavijas debidamente conectado a tierra. La placa de características en serie indica el voltaje y la frecuencia que el aparato está diseñado para.

ADVERTENCIA - El uso incorrecto del enchufe de conexión a tierra puede resultar en un riesgo de descarga eléctrica. Consulte a un electricista calificado o agente de servicio si las instrucciones de conexión a tierra no se entienden completamente o si existe duda sobre si el aparato está debidamente conectado a tierra.

No conecte el aparato a los cables de extensión ni con otro aparato en la misma toma de corriente.

No empalme el cable de alimentación. No corte ni extraiga en ningún caso la tercera clavija de tierra del cable de alimentación. No utilice cables de extensión ni adaptadores sin conexión a tierra (dos clavijas).

Si el cable de alimentación está dañado, debe ser reemplazado por el fabricante, su agente de servicio o persona calificada similar para evitar riesgos.

¡GUARDE ESTAS INSTRUCCIONES!

INSTRUCCIONES DE INSTALACIÓN

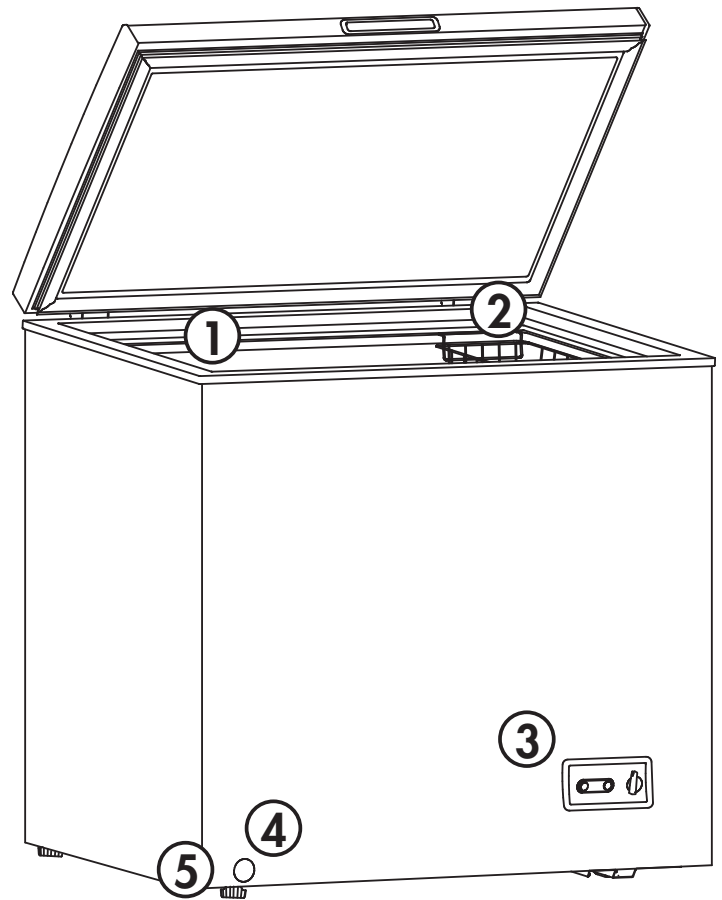
UBICACIÓN

- Se deben utilizar dos personas al mover el aparato.
- Retire el embalaje interior y exterior antes de la instalación. Limpie el exterior del aparato con un paño suave y seco y el interior con un paño húmedo tibio.
- Coloque el aparato en un piso que sea lo suficientemente fuerte como para soportarlo cuando esté completamente cargado.
- Ubique el aparato lejos de la luz directa del sol y fuentes de calor (estufa, calentador, radiador, etc.). La luz solar directa y las fuentes de calor pueden aumentar el consumo eléctrico. Las temperaturas ambientales extremadamente frías también pueden causar que la unidad funcione incorrectamente.
- No utilice este producto cerca del agua, por ejemplo, en un sótano húmedo o cerca de un fregadero.
- Este aparato está diseñado para uso doméstico y en garaje en interiores únicamente. Los congeladores se prueban para funcionar en temperaturas que varían de 0°F a 110°F (-17°C a 43°C). No está diseñado para instalación en exteriores, incluso en cualquier lugar que no tenga temperatura controlada, como porches, vehículos, etc.
- Antes de conectar el aparato a una fuente de alimentación, deje que se mantenga erguido durante aproximadamente 6 horas; Esto reducirá la posibilidad de un malfuncionamiento en el sistema de enfriamiento debido a la manipulación durante el transporte.
- Deje espacio de 12.7 cm (5 pulgadas) entre la parte posterior y los laterales del aparato y todas las paredes adyacentes.
- Este aparato está diseñado para instalación independiente y no está diseñado para ser instalado en un gabinete o mostrador. La construcción en este aparato puede causar un mal funcionamiento.

INSTRUCCIONES DE OPERACIÓN

CARACTERÍSTICAS

1. Interior resistente a la oxidación
2. Cesta de alambre
3. Dial del termostato
4. Desagüe de descongelación
5. Patas niveladoras



NOTA IMPORTANTE

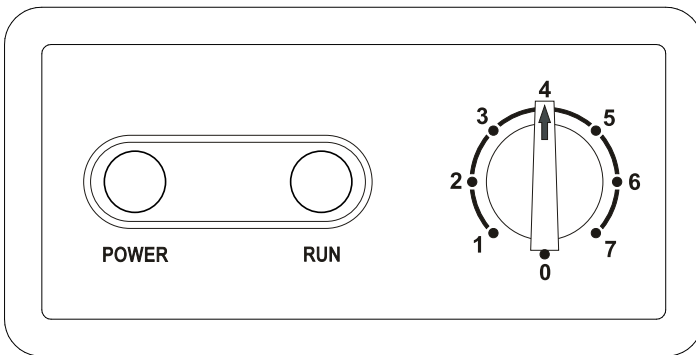
La tapa del congelador puede ser difícil de abrir inmediatamente después de cerrarla. Esto es normal y se debe a la diferencia de presión entre el interior frío del congelador y el aire caliente que acaba de entrar en el congelador cuando se abrió la tapa. La presión se igualará en pocos minutos.

Si la tapa es especialmente difícil de abrir, espere 5 minutos para que la presión se iguale y vuelva a intentarlo.

INSTRUCCIONES DE OPERACIÓN

CONTROL DE TEMPERATURA

1. Luz indicadora de energía: se ilumina cuando el aparato está conectado a una fuente de energía en funcionamiento.
2. Luz indicadora de funcionamiento: se ilumina cuando el compresor está funcionando.



La temperatura del aparato se controla ajustando el dial del termostato en la parte frontal del gabinete.

- El número 1 indica la configuración más cálida.
- El número 7 indica la configuración más fría.
- El número 4 debería ser suficiente para el uso doméstico habitual.
- El rango de temperatura del aparato es de aproximadamente $-12 \sim -24^{\circ}\text{C}$ ($10,4 \sim -11,2^{\circ}\text{F}$).
- Para detener la función de enfriamiento, gire el dial a la posición "0".

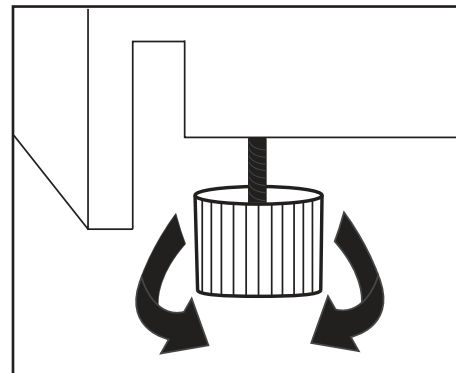
Importante:

- La temperatura dentro del electrodoméstico puede variar según la temperatura ambiente, la frecuencia con la que se abre la tapa y la cantidad de alimentos frescos que se ha agregado recientemente al electrodoméstico.
- No sobrecargue el aparato, ya que esto puede afectar el rendimiento.
- No congele grandes cantidades de alimentos frescos al mismo tiempo.

INSTRUCCIONES DE NIVELACIÓN

Hay dos patas ajustables en la parte inferior del aparato que se pueden subir o bajar para asegurarse de que el aparato esté nivelado. Es importante que el aparato esté nivelado para minimizar el ruido y las vibraciones. Para nivelar el aparato:

1. Mueva el aparato a su ubicación final.
2. Gire la pierna de nivelación en el sentido de las agujas del reloj hasta el tope, hasta que la parte superior del pie toque la parte inferior del chasis.
3. Gire lentamente la pierna de nivelación en el sentido de las agujas del reloj hasta que el aparato esté nivelado.



Por favor, no sobrecargue su congelador. un congelador es capaz de congelar aproximadamente 2 1/2 libras de alimentos descongelados por pie cúbico de espacio. Un congelador de 5 pies cúbicos, para ejemplo, puede congelar aproximadamente 12 - 13 libras de alimentos no congelados en cualquier período de 24 horas. Lo mejor es pre-congele los alimentos antes de ponerlos en el congelador. La mayoría carniceros o proveedores de alimentos a granel antes de llevarlos a sobrecargar el congelador puede hacer que falle.

INSTRUCCIONES DE OPERACIÓN

DESCONGELACIÓN

Este aparato se descongelará aproximadamente dos veces al año o cuando se haya formado una capa de hielo de 6 mm (1/4 de pulgada).

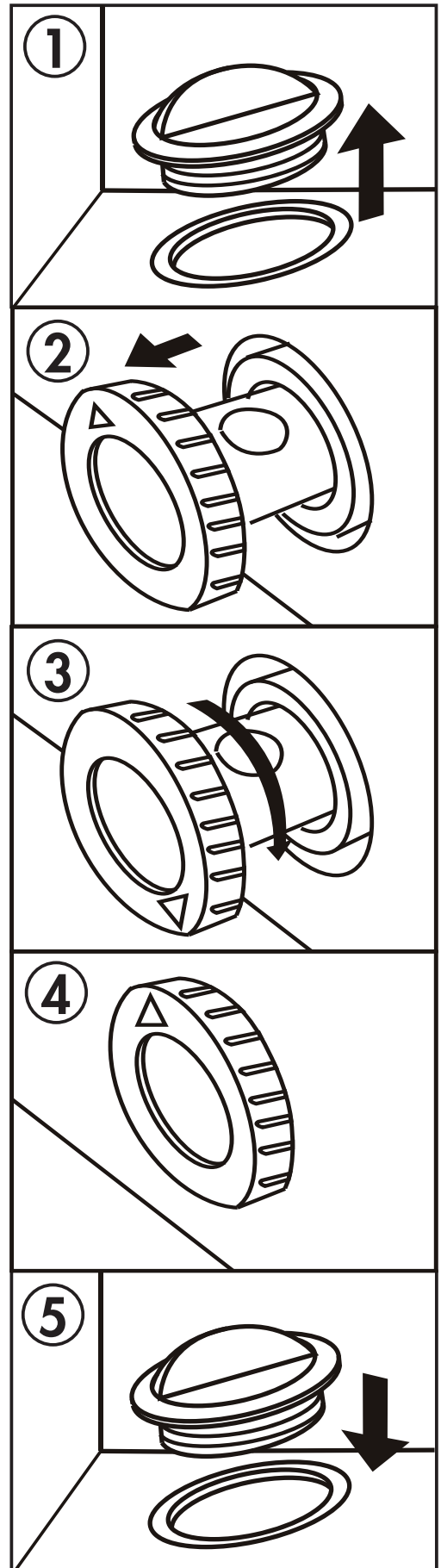
Gire la perilla de control del aparato a la posición "0" y desenchufe el cable de alimentación. Retire todo el contenido y deje la tapa abierta. Sigue las instrucciones de abajo:

1. El drenaje de descongelación interior está ubicado en el piso interior del gabinete. Retire la tapa del desagüe de descongelación. El agua descongelada fluirá por el orificio y saldrá a través de la tapa de drenaje de descongelación exterior.
2. La tapa de drenaje de descongelación exterior está ubicada en la parte frontal del gabinete. Gire la tapa con una moneda o un destornillador de punta plana y luego tire suavemente hasta que el orificio de agua sea visible.
3. Gire la tapa de drenaje exterior de modo que la flecha apunte hacia abajo. Coloque un balde o recipiente debajo de la tapa de drenaje para recoger el agua descongelada. Compruebe el aparato con regularidad durante la descongelación para asegurarse de que el agua no se derrame.
4. Cuando se haya drenado toda el agua, gire la tapa de drenaje hasta que la flecha apunte hacia arriba y luego empuje hacia adentro hasta que quede al ras con el gabinete.
5. Vuelva a colocar la tapa en el drenaje de descongelación interior.

Una vez finalizada la descongelación, ajuste el control de temperatura al máximo durante 2 a 3 horas antes de volver a la temperatura deseada.

IMPORTANTE

**Nunca utilice electrodomésticos durante la descongelación.
No utilice objetos afilados o puntiagudos para quitar la escarcha ya que esto puede dañar las líneas de refrigerante.
Si estas líneas se perforan accidentalmente hará que el congelador inoperable y anular la garantía del fabricante.**



CUIDADO Y MANTENIMIENTO

LIMPIEZA

Asegúrese de que la unidad esté desenchufada antes de limpiar cualquier parte del aparato.

- Para limpiar el interior del aparato, utilice un paño suave y una solución de una cucharada de bicarbonato de sodio a un litro de agua o una solución de jabón suave o algún detergente suave.
- Limpie el exterior con un paño suave y húmedo y un poco de detergente suave.
- Es importante mantener el área limpia donde la tapa sella contra el gabinete. Limpie este área con un paño jabonoso. Enjuague con un paño húmedo y deje secar.

Nota: No utilice limpiadores que contengan amoníaco o alcohol en el aparato. El amoníaco o el alcohol pueden dañar el aspecto del aparato. Nunca utilice limpiadores comerciales o abrasivos ni objetos afilados en ninguna parte del aparato.

FALLO DE ALIMENTACIÓN

La mayoría de las fallas de alimentación se corrigen en pocas horas y no deben afectar la temperatura de su aparato si minimiza el número de veces que se abre la tapa. Si la alimentación va a estar apagada por un período de tiempo más largo, tome las medidas apropiadas para proteger su contenido.

Nota: Espere de 3 a 5 minutos antes de intentar reiniciar el refrigerador si se ha interrumpido la operación.

TIP DE AHORRO DE ENERGÍA

El aparato debe estar ubicado en la zona más fresca de la habitación, lejos de los aparatos que producen calor y fuera de la luz directa del sol. No sobrecargue la unidad ni bloquee las aberturas de ventilación.

VACACIONES

- Vacaciones cortas: Deje el aparato en funcionamiento durante las vacaciones de menos de tres semanas.
- Largas vacaciones: Si el aparato no se va a utilizar durante varios meses, retire todos los artículos y apague el aparato. Limpie y seque el interior a fondo. Para evitar el olor y el moho, deje la tapa ligeramente abierta, bloqueándola si es necesario.

MUDARSE

- Retirar todos los elementos.
- Tape la tapa cerrada.
- Asegúrese de que el aparato permanezca seguro en posición vertical durante el transporte. Proteja también el exterior del aparato con una manta o un artículo similar.
- Si el aparato se coloca en su parte posterior o lateral durante el transporte, al llegar al destino, permita que permanezca en su posición de funcionamiento durante 6 horas para evitar daños a los componentes internos.

DISPOSICIÓN

Este aparato no puede ser tratado como un residuo doméstico normal, sino que debe ser llevado al punto de recogida de residuos apropiado para el reciclaje de componentes eléctricos. Para obtener información sobre los puntos de recogida de residuos locales, póngase en contacto con la agencia local de eliminación de residuos o con la oficina gubernamental.

La eliminación de este aparato debe realizarse de acuerdo con las regulaciones federales y locales.

PREGUNTAS FRECUENTES

¿Cuáles son las potencias y amperios estándar que se utilizan?

Esta información se puede encontrar en la placa de clasificación ubicada en la parte posterior del gabinete.

¿Cuánto cuesta hacer funcionar el congelador?

Consulte la guía de energía.

¿Puedo usar un cable de extensión?

No, no se puede usar un cable de extensión.

Tengo problemas para abrir la puerta o la tapa; ¿por qué?

Es posible que sea difícil abrir la puerta o la tapa del congelador inmediatamente después de cerrarla. Esto es normal y se debe a la diferencia de presión entre el interior frío del congelador y el aire caliente que acaba de entrar en el congelador cuando se abrió. La presión se igualará en unos minutos.

SOLUCIÓN SUGERIDA

No funciona

- Un fusible en su casa puede soplarse o el interruptor de circuito disparado
- El enchufe no está completamente insertado en la toma de corriente

La temperatura interna no es lo suficientemente fría

- El ajuste de temperatura es demasiado frío
- La puerta o la tapa no se cierra correctamente o se abre en exceso
- Recientemente se agregó una gran cantidad de comida caliente al gabinete
- Muy cerca de una fuente de calor o luz solar directa
- La temperatura ambiente o la humedad es muy alta

El congelador funciona continuamente

- El ajuste de temperatura es demasiado frío
- La puerta o la tapa no se cierra correctamente o se abre en exceso
- Recientemente se agregó una gran cantidad de comida caliente al gabinete.
- Muy cerca de una fuente de calor o luz solar directa.
- La temperatura ambiente o la humedad es muy alta


El congelador hace un gorgoteo cuando está en funcionamiento

- Este ruido es completamente normal. El refrigerante dentro del aparato emitirá un gorgoteo cuando cambie de líquido a gas y viceversa.

GARANTÍA

GARANTIA DE CONGELADOR

Su refrigerador está protegido por esta garantía.

	PERIODO DE GARANTÍA	A TRAVÉS DE NUESTROS SERVICIOS AUTORIZADOS, HAREMOS LO SIGUIENTE:	EL CONSUMIDOR SERÁ RESPONSABLE DE:
Uno año de piezas y mano de obra	Un año desde la fecha de compra original.	Pagamos todos los costos de reparación o reemplazo de cualquier pieza de este electrodoméstico que demuestren ser defectuoso en materiales o mano de obra. Excluye los originales y reemplazos de cartuchos de filtro de agua y hielo y (si lo tiene). Cartuchos originales y reemplazados están garantizados por 30 días (sólo piezas).	Los costos de las llamadas de servicio que se enumeran en LAS RESPONSABILIDADES NORMALES DEL CONSUMIDOR

En Los Estados Unidos su electrodoméstico está garantizado por Crosley. Nosotros autorizamos a nadie a cambiar o agregar a cualquiera de nuestras obligaciones bajo esta garantía. Nuestras obligaciones de reparación y piezas bajo esta garantía deben ser realizadas por un técnico autorizado por Crosley Corporation.

 *RESPONSABILIDADES NORMALES DE LOS CONSUMIDORES:

Esta garantía se aplica sólo a los productos de uso doméstico ordinario, y el consumidor es responsable de los artículos que figuran a continuación:

- 1, El uso adecuado del aparato de acuerdo con las instrucciones proporcionadas con el producto.
- 2, La instalación adecuada por un técnico autorizado de acuerdo con las instrucciones proporcionadas con el aparato y de acuerdo con todos los códigos de plomería, eléctricos y de gas locales.
- 3, La conexión adecuada a una fuente de alimentación con conexión a tierra de voltaje suficiente, reemplazo de fusibles quemados, reparación de conexiones sueltas o defectos en el cableado doméstico.
- 4, Gastos para facilitar el acceso al electrodoméstico para el servicio, tales como la remoción de molduras, armarios, estantes, etc., que no son parte del electrodoméstico cuando se envió de la fábrica.
- 5, Daños para terminar después de la instalación.
- 6, Reemplazo de bombillas y/o tubos fluorescentes (en los modelos con estas características).

EXCLUSIONES

Esta garantía no cubre los siguientes:

- 1, Los daños consecuentes o incidentales, tales como daños a la propiedad y gastos incidentales que resulten de cualquier violación de este escrito o cualquier garantía implícita.
Nota: Algunos estados no permiten la exclusión o limitación de daños incidentales o consecuentes, por lo que esta limitación o exclusión puede no aplicarse a usted.
- 2, Las llamadas de servicio que no involucren un mal funcionamiento y defectos de fabricación y materiales, o para electrodomésticos que no uso doméstico normal. El consumidor debe pagar por tales llamadas de servicio.
- 3, Los daños causados por los servicios prestados por administradores que no sean Crosley Corporation, Crosley Canada Corp. o sus técnicos autorizados; el uso de piezas que no sean piezas originales Crosley Corporation, obtenidas de personas que no sean técnicos; o causas externas como abuso, mal uso, suministro de energía o fuerza mayor inadecuada.
- 4, Productos con números de serie originales que han sido removidos o alterados y no pueden determinarse con facilidad.

SI NECESITA SERVICIO: Mantenga su factura de venta, su comprobante de entrega o cualquier otro registro de pago apropiado. La fecha en el proyecto de ley del período de garantía debe ser requerido. Si se realiza el servicio, es en su mejor interés para obtener y conservar todos los recibos. Esta garantía escrita le otorga derechos legales específicos. Usted también puede tener otros derechos que varían de estado a estado. El servicio bajo esta garantía debe ser obtenido contactando Crosley Corporation..

Esta garantía sólo se aplica en los 50 Estados de Los Estados Unidos, en Puerto Rico, y en Canadá. Características o especificaciones descritas o ilustradas de productos están sujetas a cambios sin previo aviso. Todas las garantías son hechas por Crosley Corporation.

Para la información de la garantía, contacte :
844-CROSLEY (844-276-7539)
 CrosleyCare Service
 3 Sperry Rd.
 Fairfield, NJ 07004

Para la información de productos, contacte:
800-356-5268
 Crosley Extended Warranty
 11430 Gravois Road, Ste 310
 St. Louis, MO 63136

www.crosley.com

Descargo de responsabilidad: El diseño y las especificaciones están sujetas a cambios sin previo aviso para mejorar el producto.